



EUROPE

137 European PLUG 2 POLE STRAIGHT

STANDARD EN 50075

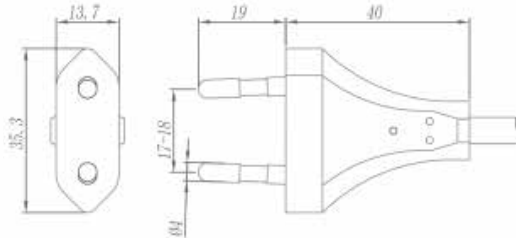
VOLTAGE 250V

CURRENT 2.5A



CABLE TYPE

H03VVH2-F	2X0.5; 2X0.75
H03VVH2H8-F	2X0.75
H03VVH8-F	2X0.75
H03VV-F	2X0.5; 2X0.75
H05VV-F	2X0.75; 2X1
H05VVH8-F	2X0.75
H05VVH2-F	2X0.75
H05RR-F	2X0.75; 2X1
H05RN-F	2X0.75; 2X1
H05V2V2-F	2X0.75



157 European PLUG 2 POLE STRAIGHT

STANDARD EN 50075

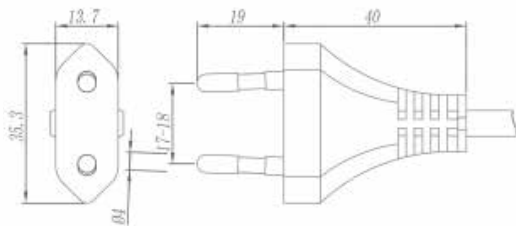
VOLTAGE 250V

CURRENT 2.5A



CABLE TYPE

H03VVH2-F	2X0.5; 2X0.75
H03VV-F	2X0.5; 2X0.75
H03VVH8-F	2X0.75
H03VVH2H8-F	2X0.75



152 European PLUG 2 POLE STRAIGHT

STANDARD IEC 60884-1 standard sheet CEE 7 XVII

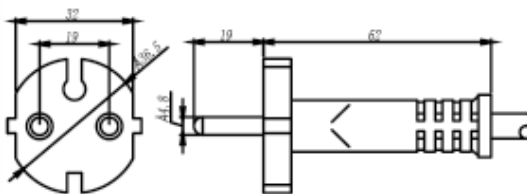
VOLTAGE 250V

CURRENT 16A



CABLE TYPE

H03VVH2-F	2X0.75
H03VV-F	2X0.75
H05VV-F	2X0.75; 2X1; 2X1.5
H05VVH2-F	2X0.75
H05RR-F	2X0.75; 2X1; 2X1.5
H05RN-F	2X0.75; 2X1
H07RN-F	2X1; 2X1.5
H05V2V2-F	2X0.75; 2X1; 2X1.5
H05BQ-F	2X0.75; 2X1
H07BQ-F	2X1; 2X1.5
H05Z1Z1-F	2X0.75; 2X1



The VDE and IMQ approvals are effective only for Patelec Ningbo production

152P European PLUG 2 POLE STRAIGHT

STANDARD IEC 60884-1 standard sheet CEE 7 XVII

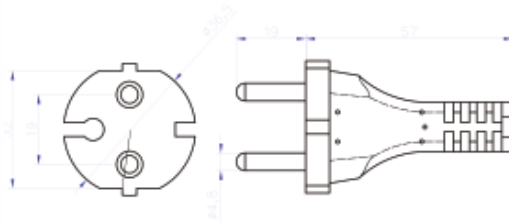
VOLTAGE 250V

CURRENT 16A



CABLE TYPE

H05VV-F	2X0.75; 2X1
H05RR-F	2X1
H05RN-F	2X1
H07RN-F	2X1



790460 European PLUG 2 POLE STRAIGHT

STANDARD DIN VDE 0620-1 standard sheet DIN 49406-R

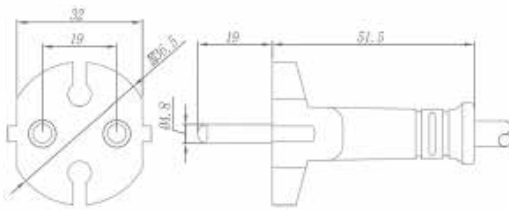
VOLTAGE 250V

CURRENT 16A



CABLE TYPE

H03VVH2-F	2X0.5; 2X0.75
H05VVH2-F	2X0.75; 2X1
H05VV-F	2X0.75; 2X1
H05V2V2-F	2X0.75; 2X1
H05V2V2H2-F	2X0.75; 2X1



652 European PLUG 2 POLE STRAIGHT

STANDARD DIN VDE 0620-1 standard sheet DIN 49406-R

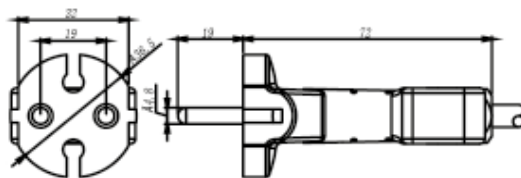
VOLTAGE 250V

CURRENT 16A



CABLE TYPE

H05VV-F	2X0.75; 2X1; 2X1.5
H05RR-F	2X0.75; 2X1; 2X1.5
H05RN-F	2X0.75; 2X1
H07RN-F	2X1; 2X1.5



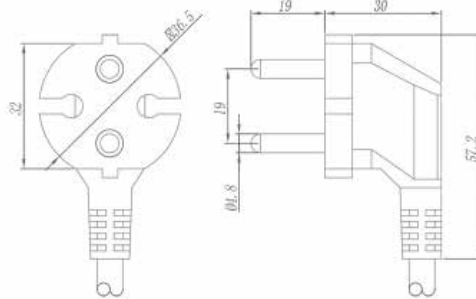
The VDE approval is effective only for Patelec Ningbo production

552 European PLUG 2 POLE ANGLED

STANDARD IEC 60884-1:2002 + A1:2006 + A2:2013

VOLTAGE 250V

CURRENT 16A



CABLE TYPE

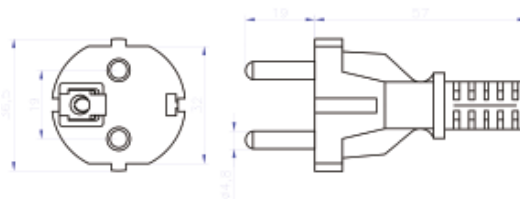
H03VVH2-F	2X0.5; 2X0.75
H03VV-F	2X0.5; 2X0.75
H05VVH2-F	2X0.75; 2X1
H05RR-F	2X0.75; 2X1
H05RN-F	2X0.75; 2X1

BGF European Plug 2 pole + E STRAIGHT

STANDARD IEC 60884-1 standard sheet CEE 7 VII

VOLTAGE 250V

CURRENT 16A



CABLE TYPE

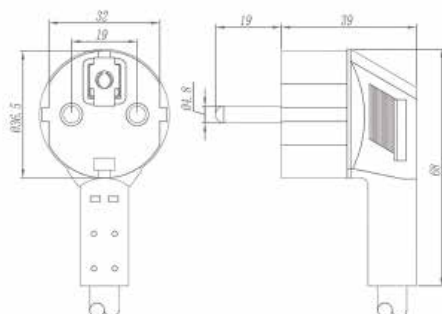
H03RT-H	3G0.75; 3G1; 3G1.5
H03VV-F	3G0.75
H05VV-F	3G0.75; 3G1; 3G1.5 3G2.5
H05RR-F	3G0.75; 3G1; 3G1.5
H05RN-F	3G0.75; 3G1
H07RN-F	3G1; 3G1.5

232 European Plug 2 pole + E ANGLED

STANDARD IEC 60884-1 standard sheet CEE 7 VII

VOLTAGE 250V

CURRENT 16A



CABLE TYPE

H03RT-H	3G0.75; 3G1
H03VV-F	3G0.5; 3G0.75
H05VV-F	3G0.75; 3G1; 3G1.5
H05V2V2-F	3G0.75; 3G1; 3G1.5
H05RR-F	3G0.75; 3G1; 3G1.5
H05RN-F	3G0.75; 3G1
H07RN-F	3G1; 3G1.5
H05BB-F	3G0.75; 3G1; 3G1.5
H07BB-F	3G1; 3G1.5
H05SS-F	3G0.75

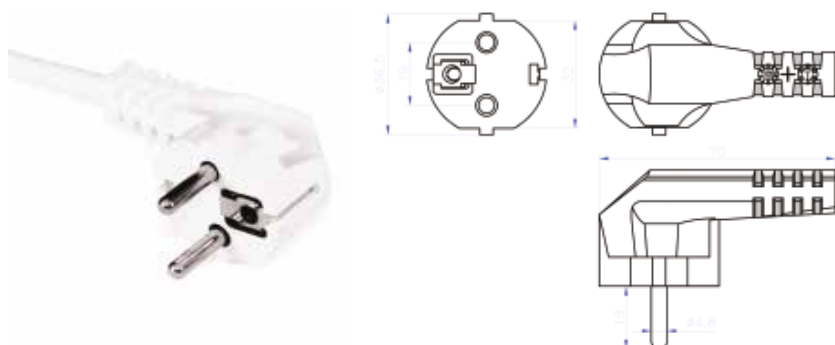
The VDE approval is effective only for Patelec Ningbo production

S-22 European Plug 2 pole + E ANGLED

STANDARD IEC 60884-1 standard sheet CEE 7 VII

VOLTAGE 250V

CURRENT 16A



CABLE TYPE

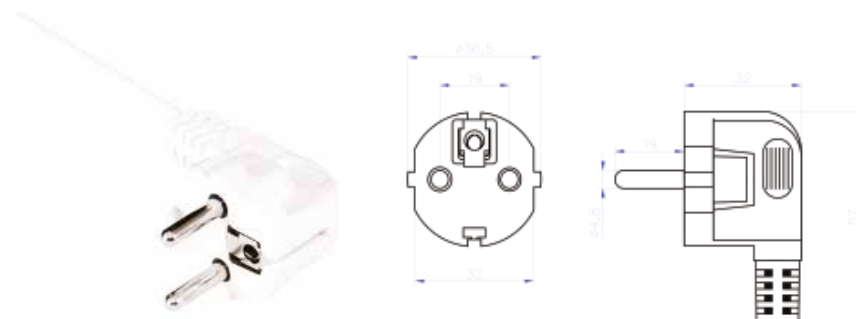
H03VV-F	3G0.5
H03V2V2-F	3G0.75
H05VV-F	3G0.5; 3G1; 3G1.5
H05V2V2-F	3G0.75; 3G1; 3G1.5
H05RR-F	3G0.75; 3G1
H05RN-F	3G0.75; 3G1
H05SS-F	3G0.75; 3G1; 3G1.5
H05BQ -F	3G1

AGF-European Plug 2-pole +E ANGLED

STANDARD IEC 60884-1 standard sheet CEE 7 VII

VOLTAGE 250V

CURRENT 16A



CABLE TYPE

H03RT-H	3G0.75; 3G1
H03VV-F	3G0.5; 3G0.75
H03V2V2-F	3G0.75
H05VV-F	3G0.75; 3G1; 3G1.5
H05V2V2-F	3G0.75; 3G1; 3G1.5
H05RR-F	3G0.75; 3G1
H05RN-F	3G0.75; 3G1
H05Z1Z1-F	3G0.75; 3G1.5

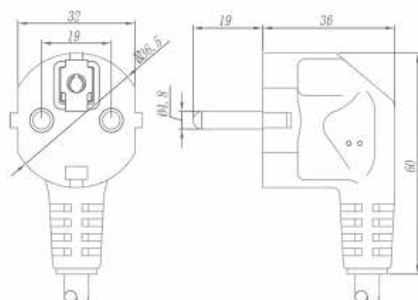
The VDE approval is effective only for Patelec Ningbo production

422U European Plug 2-pole + E ANGLED

STANDARD DIN VDE 0620-1 standard sheet DIN 49441-R2

VOLTAGE 250V

CURRENT 16A



CABLE TYPE

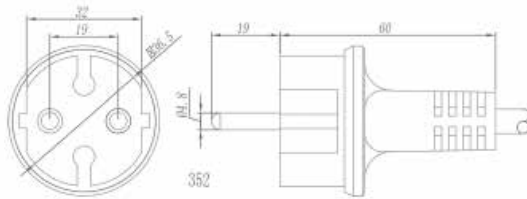
H03VV-F	3G0.75
H05VV-F	3G0.75; 3G1; 3G1.5
H05V2V2-F	3G0.75; 3G1; 3G1.5

352 European Plug 2 pole STRAIGHT

STANDARD IEC 60884-1; DIN 49406-R + DIN 49406-2-RA

VOLTAGE 250V

CURRENT 16A



CABLE TYPE

H05VV-F	2X0.75; 2X1; 2X1.5
H05RR-F	2X0.75; 2X1; 2X1.5
H05RN-F	2X0.75; 2X1
H07RN-F	2X1; 2X1.5
H05BQ-F	2X0.75; 2X1
H07BQ-F	2X1; 2X1.5

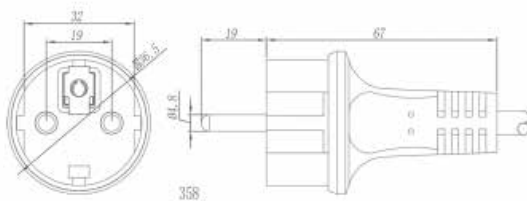
The VDE approval is effective only for Patelec Ningbo production

358 European Plug 2 pole + E STRAIGHT

STANDARD IEC 60884-1; DIN 494441-R2 + DIN 49441-2-AR2

VOLTAGE 250V

CURRENT 16A



CABLE TYPE

H05VV-F	3G0.75; 3G1; 3G1.5 3G2.5
H05RR-F	3G0.75; 3G1; 3G1.5 3G2.5
H05RN-F	3G0.75; 3G1
H05V2V2-F	3G0.75
H05BQ-F	3G0.75; 3G1
H05BN4-F	3G0.75; 3G1
H07RN-F	3G1; 3G1.5; 3G2.5
H05RN8-F	3G1; 3G1.5
H07BQ-F	3G1; 3G1.5
H05Z1Z1-F	3G0.75

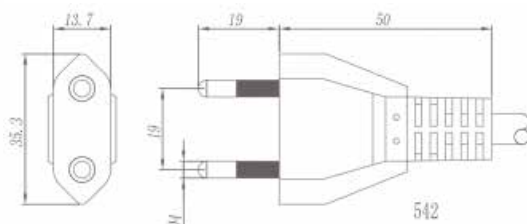
The VDE approval is effective only for Patelec Ningbo production

542 Italian Plug 2 pole STRAIGHT

STANDARD CEI 23-50/S10

VOLTAGE 250V

CURRENT 10A



CABLE TYPE

H03VV-F	2X0.75
H03VVH2-F	2X0.75
H03V2V2-F	2X0.75
H03V2V2H2-F	2X0.75
H05VV-F	2X0.75; 2X1
H05VVH2-F	2X0.75
H05V2V2-F	2X0.75; 2X1; 2X1.5
H05V2V2H2-F	2X0.75; 2X1
H05RR-F	2X0.75; 2X1
H05RN-F	2X0.75; 2X1
H07RN-F	2X1

543 Italian Plug 3 pole + E STRAIGHT



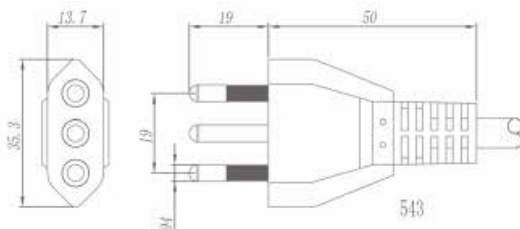
STANDARD CEI 23-50/S11

VOLTAGE 250V

CURRENT 10A

CABLE TYPE

H03VV-F	3G0.7 5
H03RT-H	3G0.75;3G1
H03V2V2-F	3G0.75
H05VV-F	3G0.75; 3G1; 3G1.5
H05V2V2-F	3G0.75; 3G1; 3G1.5
H05RR-F	3G0.75; 3G1
H05RN-F	3G0.75; 3G1
H07BB-F	3G1; 3G1.5
H07BN4-F	3G1; 3G1.5



140 Italian Plug 2 pole STRAIGHT



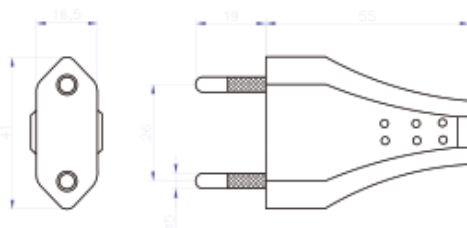
STANDARD CEI 23-50/S16

VOLTAGE 250V

CURRENT 16A

CABLE TYPE

H05VV-F	2X1; 2X1.5
H05RR-F	2X1; 2X1.5
H05RN-F	2X1
H07RN-F	2X1; 2X1.5



141 Italian Plug 2 pole + E STRAIGHT



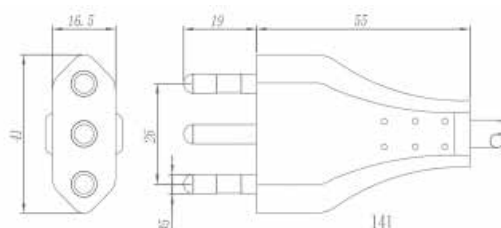
STANDARD CEI 23-50/S17

VOLTAGE 250V

CURRENT 16A

CABLE TYPE

H05VV-F	3G1; 3G1.5; 3G2.5
H05RR-F	3G1; 3G1.5
H05RN-F	3G1
H07RN-F	3G1; 3G1.5

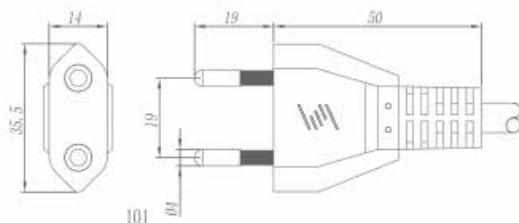


101 Swiss Plug 2 pole + E STRAIGHT

STANDARD IEC 60884-1, SEV 1011 TYPE 11

VOLTAGE 250V

CURRENT 10A



CABLE TYPE

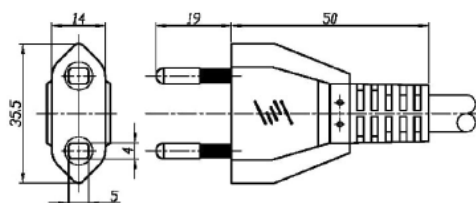
H03VVH2-F	2X0.75
H05VV-F	2X0.75; 2X1; 2X1.5
H05RR-F	2X0.75; 2X1; 2X1.5
H05RN-F	2X0.75; 2X1; 2X1.5
H07RN-F	2X1; 2X1.5
H05BQ-F	2X1
H07BQ-F	2X1; 2X1.5
H05Z1Z1-F	2X0.75

102 Swiss Plug 2 pole STRAIGHT

STANDARD IEC 60884-1, SEV 1011 TYPE 21 Std sheet: SEV 5933-2

VOLTAGE 250V

CURRENT 16A



CABLE TYPE

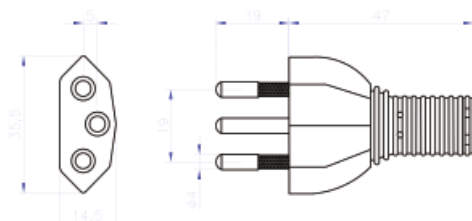
H05VV-F	2X1.5
H07RN-F	2X1.5

701 Swiss Plug 2 pole + E STRAIGHT

STANDARD IEC 60884-1, SEV 1011 TYPE 12, Std sheet: 6534-2

VOLTAGE 250V

CURRENT 10A



CABLE TYPE

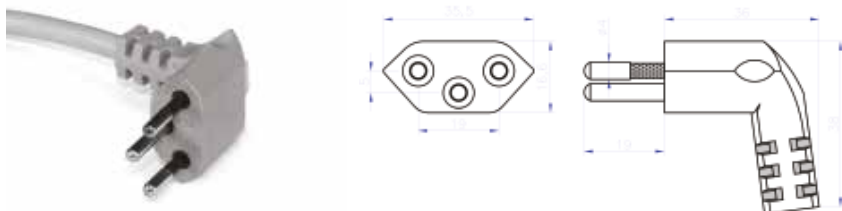
H03VV-F	3G0.75
H05VV-F	3G0.75; 3G1; 3G1.5
H05V2V2-F	3G075
H05RR-F	3G0.75; 3G1; 3G1.5
H05RN-F	3G0.75; 3G1
H07RN-F	3G1; 3G1.5
H07BQ-F	3G1; 3G1.5

S 54 Swiss Plug 2 pole + E ANGLED



STANDARD IEC 60884-1, SEV 1011 TYPE 12 Std sheet: SEV 6534-2
 VOLTAGE 250V
 CURRENT 10A

CABLE TYPE	
H05VV-F	3G0.75; 3G1
H05RR-F	3G0.75; 3G1
H05RN-F	3G0.75; 3G1

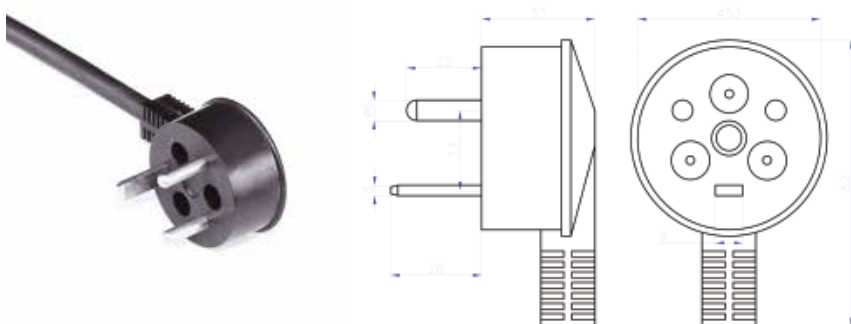


2322 French Plug 2 pole + E ANGLED



STANDARD NF C 61-315:2005
 VOLTAGE 400V
 CURRENT 20A

CABLE TYPE	
H05VV-F	3G2.5
H05RR-F	3G2.5

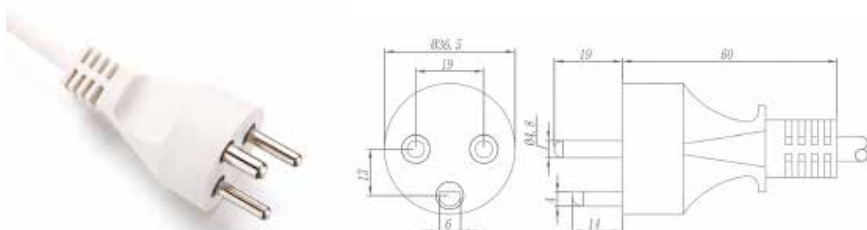


186 Danish Plug 2 pole + E STRAIGHT



STANDARD DS/IEC 60884-2-D1:2011 (sheet: DK2-1a)
 VOLTAGE 250V
 CURRENT 10A

CABLE TYPE	
H03VV-F	3G0.75
H05VV-F	3G0.75; 3G1; 3G1.5
H05RR-F	3G0.75; 3G1; 3G1.5
H05RN-F	3G0.75; 3G1
H07RN-F	3G1; 3G1.5
H05BQ-F	3G1



187 Danish Plug 2-pole+E STRAIGHT

STANDARD DS/IEC 60884-2-D1:2011 (sheet: DK2-5a)

VOLTAGE 250V

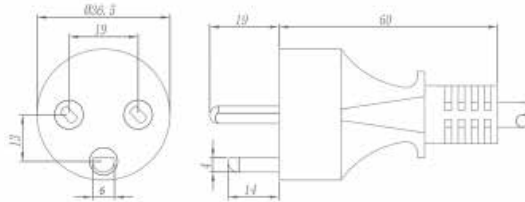
CURRENT 10A



CABLE TYPE

H05VV-F

3G0.75; 3G1



E 90 Swedish Plug 3 pole + E ANGLED / E 90 Swedish Plug 3 pole + N + E ANGLED

STANDARD IEC 60884-1 Standard sheet: DIN 49446

VOLTAGE 400V

CURRENT 16A



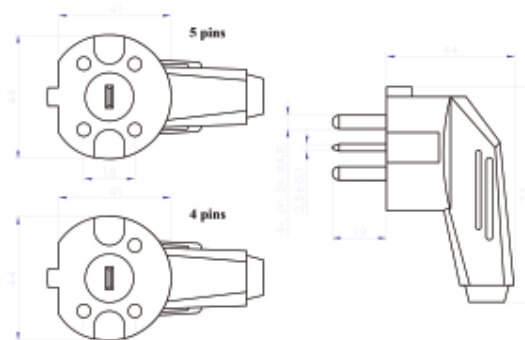
CABLE TYPE

H05VV-F

4G1.5; 5G0.75; 5G1.5

H07RN-F

4G1.5; 5G1.5



25 Norway Plug 2 pole + E STRAIGHT

STANDARD IEC 60884-1 Standard sheet: CEE 7/XI

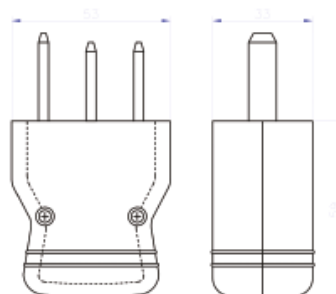
VOLTAGE 230V

CURRENT 25A



CABLE TYPE

On Demand



300TW REWIRABLE PLUG (industrial purpose)

STANDARD IEC 60309-1, IEC 60309-2

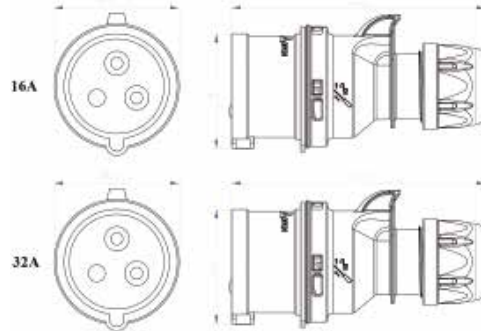
VOLTAGE 100-130V

CURRENT 16/32A



CABLE TYPE

On Demand



301 PLUG 2 pole FOR INDUSTRIAL PURPOSE REWIRABLE TYPE

STANDARD IEC60309-1, IEC60309-2

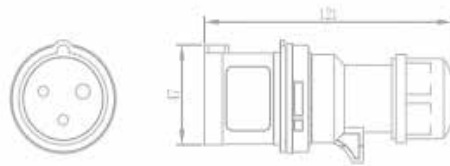
VOLTAGE 100-130V

CURRENT 16A-4h



CABLE TYPE

H05RN-F	2X1
H07RN-F	2X1; 2X1.5



3318 European SOCKET CONNECTOR 2 pole + E STRAIGHT

STANDARD IEC 60884-1 Standard sheet: CEE7/III

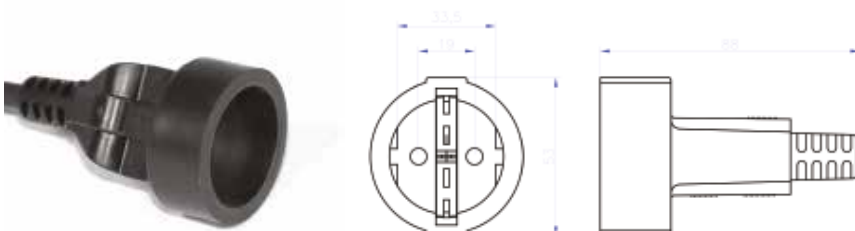
VOLTAGE 250V

CURRENT 16A



CABLE TYPE

H05VV-F	3G1; 3G1.5
H05RR-F	3G1.5
H07RN-F	3G1.5

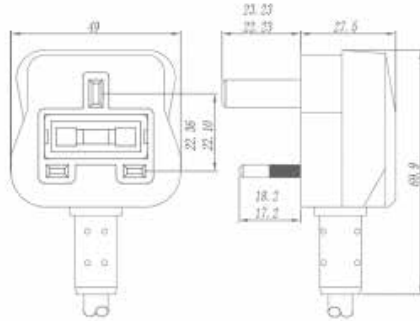


2343 British Plug 2 pole + E ANGLED

STANDARD BS 1363-1

VOLTAGE 250V

CURRENT 3A/5A/10A/13A



CABLE TYPE

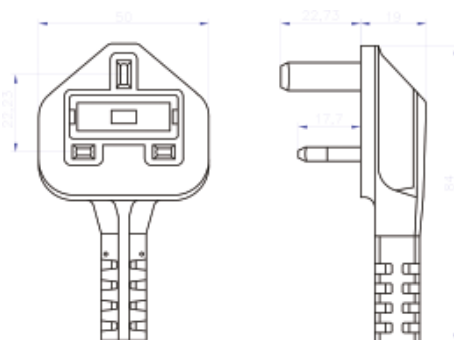
H03VV-F	2X0.75; 3G0.75
H03V2V2-F	3G0.75
H03VVH2-F	2X0.75
H05VVH2-F	2X0.75
H05VV-F	2X0.75; 2X1; 2X1.5; 3G0.75; 3G1; 3G1.5
H05V2V2-F	2X0.75; 3G0.75; 3G1; 3G1.5
H05V2V2H2-F	2X0.75
H05RR-F	2X0.75; 2X1; 3G0.75; 3G1; 3G1.5
H05RN-F	2X0.75; 2X1; 3G0.75; 3G1
H05BQ-F	2X0.75; 2X1; 3G0.75; 3G1
H07RN-F	2X1; 2X1.5; 3G1; 3G1.5
H07RN8-F	3G1; 3G1.5
H07BQ-F	2X1; 2X1.5; 3G1; 3G1.5

M UK British Plug 2 pole + E ANGLED

STANDARD BS 1363-1

VOLTAGE 250V

CURRENT 3A/5A/10A/13A



CABLE TYPE

H03VV-F	2X0.5
H03V2V2-F	2X0.5
H03VVH2-F	2X0.75
H05VVH2-F	2X0.75
H05VV-F	2X0.75; 2X1; 3G0.75; 3G1; 3G1.5
H05V2V2-F	2X0.75; 2X1
H05RR-F	2X0.75; 2X1; 3G0.75; 3G1
H05RN-F	2X0.75; 2X1; 3G0.75; 3G1
H05BB-F	3G1
H05BN4-F	3G0.75; 3G1
H07RN-F	2X1

2345 British Plug 2-pole+E ANGLED

STANDARD BS 1363-1

VOLTAGE 250V

CURRENT 13A



CABLE TYPE

H03VV-F	2X0.75; 3G0.75
H03VVH2-F	2X0.75
H05VV-F	2X0.75; 2X1; 2X1.5; 3G0.75; 3G1; 3G1.5
H05VVH2-F	2X0.75
H05RR-F	2X0.75; 2X1; 2X1.5; 3G0.75; 3G1; 3G1.5
H05RN-F	2X0.75; 2X1; 2X1.5; 3G0.75; 3G1

